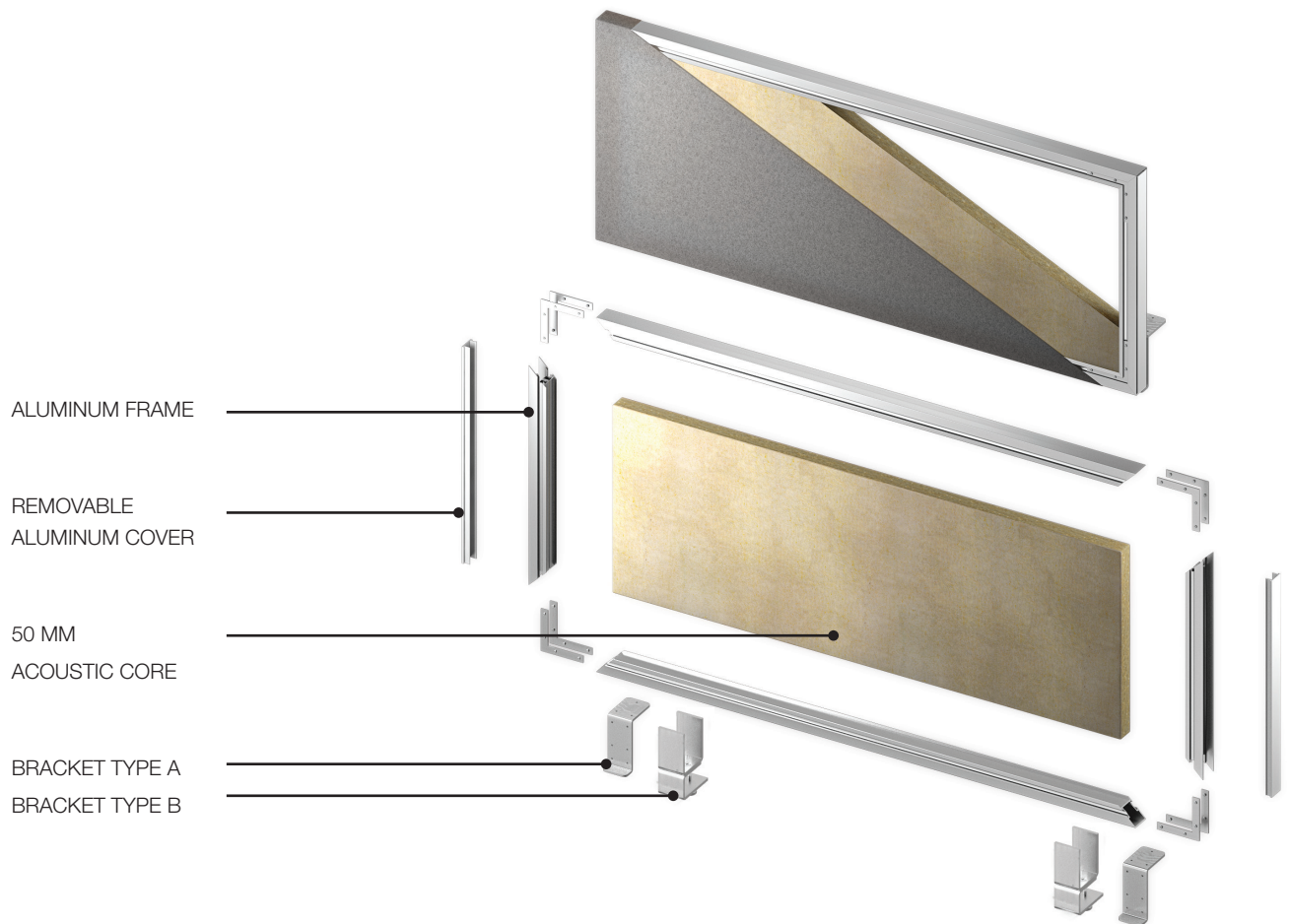


# TABLE SCREEN SQUARE SYSTEM 50

KURAGE®

## TECHNICAL SPECIFICATIONS



### QUALITY

All acoustic panels are handmade using only high-quality materials.

### FRAME TYPE

Extruded Aluminum.

### FABRIC MATERIAL

90% WO 10% MNF.

### ACOUSTIC PROPERTIES

Tested according to ISO 354 - see page 98.

### FLAME RESISTANCE

Core: A1 EN 13501-1

Fabric: BS 5867 part 2 type B

### SPECIAL FEATURES

Removable cover to enable cover change or dry cleaning.

### CARE INSTRUCTIONS

Dry clean only.

