

Floor Screen Booth System 50 Square

KURAGE[®]
acoustic design solutions



Booths are supplied in three combination possibilities, all with a height of 140-155 cm.

The cover has elastics sewn on, ensuring a constant tightening of the fabric. Cover is detachable and can be dry-cleaned.

Possibility for printed as well as plain textiles.

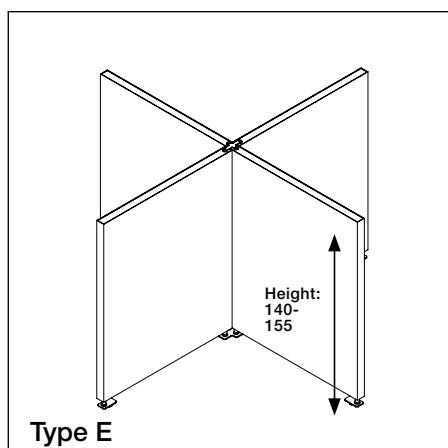
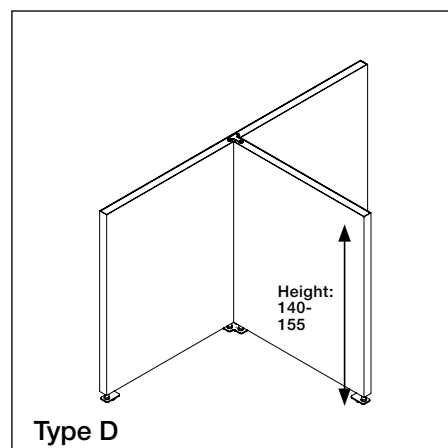
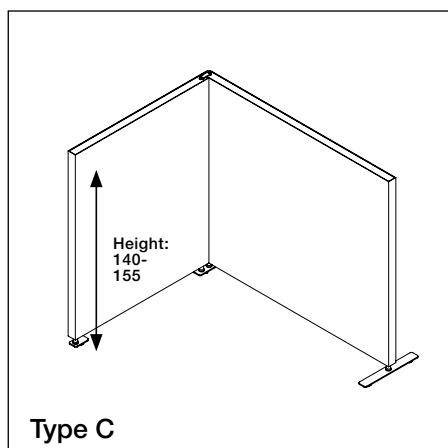
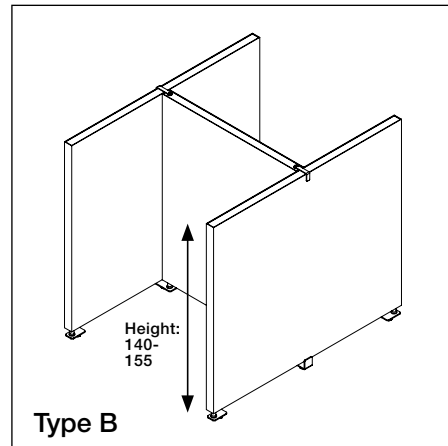
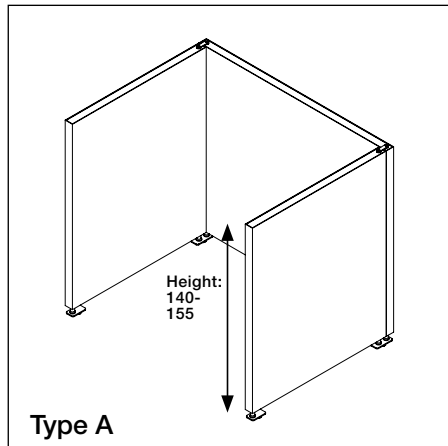
Visible frame of extruded aluminium.

Acoustic core of stone wool/mineral wool made from natural minerals.

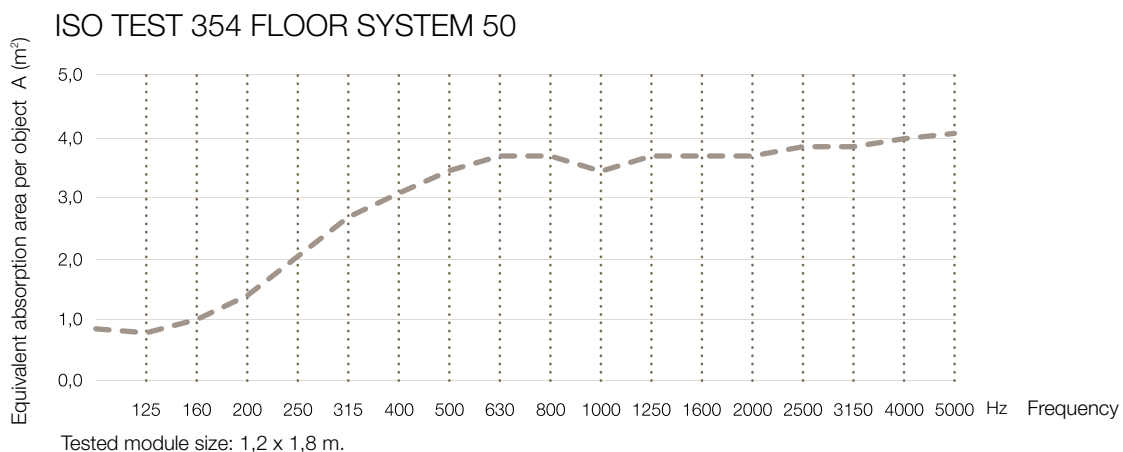
Thickness: 50 mm.

In addition to standard dimensions we also supply special dimensions.

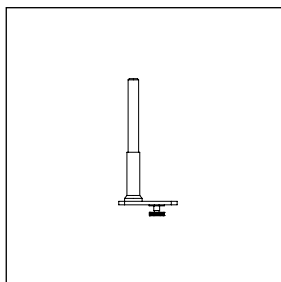
Combinations



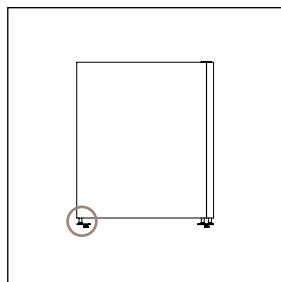
Acoustic properties



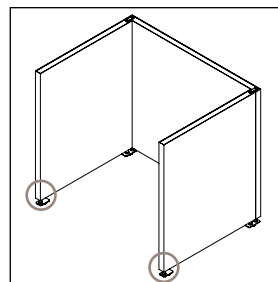
Accessories 1/2



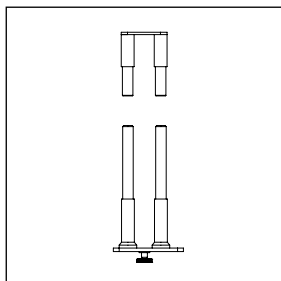
Adjustable foot article no. 5220



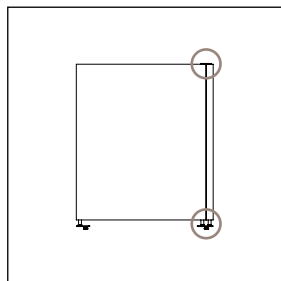
Adjustable foot article no. 5220



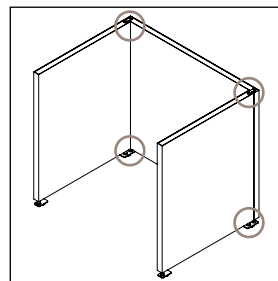
Adjustable foot article no. 5220



Connecting bracket article no. 5221

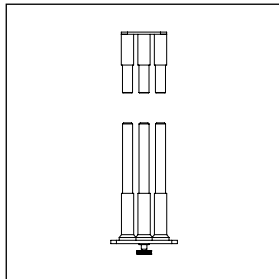


Connecting bracket article no. 5221

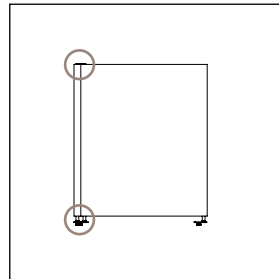


Connecting bracket article no. 5221

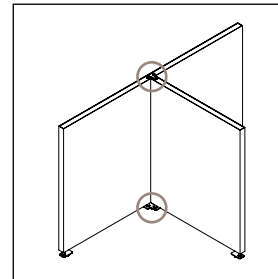
Accessories 2/2



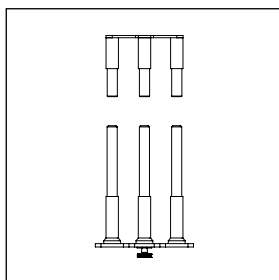
Connecting bracket article no. 5222



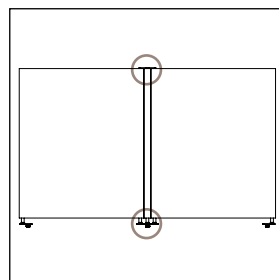
Connecting bracket article no. 5222



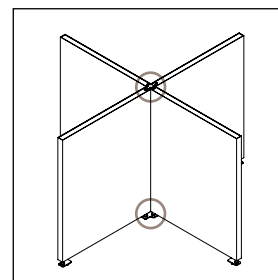
Connecting bracket article no. 5222



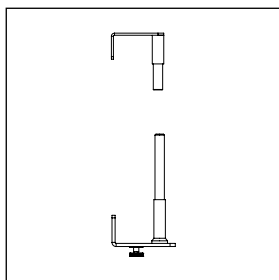
Connecting bracket article no. 5223



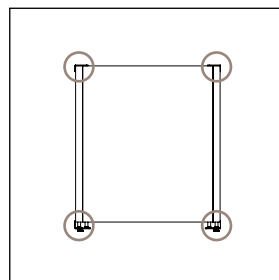
Connecting bracket article no. 5223



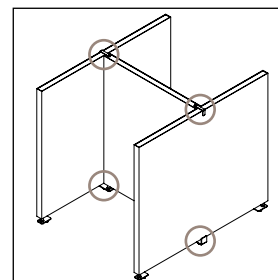
Connecting bracket article no. 5223



Connecting bracket article no. 5224



Connecting bracket article no. 5224



Connecting bracket article no. 5224